



## Custom Dynamics® Low Profile BAGZ™ Saddlebag LED lights Installation Instructions

We thank you for purchasing the Custom Dynamics® Low Profile Bagz™ Saddlebag LED Lights. Our products utilize the latest technology and high quality components to ensure you the most reliable service. We offer one of the best warranty programs in the industry and we back our products with excellent customer support, if you have questions before or during installation of this product please call Custom Dynamics® at 1(800) 382-1388.

### Part Numbers:

CD-LP-HD-R  
CD-LP-HD-S

### Package Contents:

- Low Profile Saddle Bag LED Light (2)
- HD Y Harness Adapter w/ Plugs (1)
- isopropyl Alcohol Wipe (1)
- 4" Tie Wraps (10)
- Tie Wrap Holder (6)



Fits: 1997-2013 Harley-Davidson® Touring Models with OEM Hard Saddle Bags (**Except** 2010-2013 FLHX, 2010-2013 FLTRX, 2010-2012 FLHXSE2, 2012-2013 FLTRXSE, 2013 FLHRSE5, 2013 FXSBSE). **Note:** Lights are designed to operate as **Run/Brake**. However, lights can be configured to operate as Run/Turn or Run/Brake/Turn. See page 2 for alternative configurations.



## ATTENTION

Please read all Information below before Installation

**Disclaimer:** Removal of our saddlebag lights after installation, may cause permanent damage to the finished surface area of the saddlebag.

**Warning:** Disconnect negative battery cable from battery; refer to owner's manual. Failure to do so may result in electrical shock, injury, or fire. Secure negative battery cable away from positive side of battery and all other positive voltage sources on vehicle.

**Safety First:** Always wear appropriate safety gear including safety glasses when performing any electrical work. It is highly recommended that safety glasses be worn throughout this installation process. Be sure vehicle is on level surface, secure and cool.

**Important:** This product is designed and intended for use as auxiliary lighting only. It is NOT intended to replace any original equipment lighting installed on the vehicle and should not be used for that purpose. This product must be wired so that it does not interfere with any original equipment lighting.

**Important:** Ambient install temperature must be 60 degrees F or higher. Allow 24 hours for tape to cure before washing or prolonged use of vehicle.

**Note:** The Y Harness Adapter must be plugged into the output (behind) any Smart Signal Stabilizer™/load equalizer or any brake strobe modules.

**Note:** Lights are designed to operate as **Run/Brake**. However, lights can be configured to operate as Run/Turn or Run/Brake/Turn. See page 2 for alternative configurations.

### Installation:

1. Test fit the Saddle Bag Lights on each bag. The light should mount a couple millimeters below the bottom edge of the lid when the lid is closed. Mark the location with a grease pencil.
2. Clean the surface area that LEDs will adhere to with ISO alcohol. Allow to dry.
3. Remove the red adhesive backing and install the lights on the left and right saddle bags. Press firmly into place.
4. Remove both bags from the bike.
5. Clean the surface area locations for the tie wrap holders with ISO alcohol; allow to dry. Remove paper backing from the cable tie holders and press into place (see picture below).



6. Route wires from bag light to each tie wrap holder location and secure with enclosed tie wraps.
7. Remove seat from bike and locate rear main wire harness.
8. For Run-Brake operation, plug in Y harness adapter before any Run-Brake-Turn Controller (if installed).
9. Reinstall saddlebags on the bike.
10. Route saddle bag light wires to the Y harness adapter under the seat. (Secure with tie wraps)
11. Connect 3 pin plugs from bag lights to Y harness adapter making sure female with purple wire plugs in male with purple wire and female with brown wire plugs into male with brown wire. (See page 2 for additional configurations)
12. Reinstall saddle bags. Plug the female connector of each light into the male connector of the harness adapter.
13. Secure wires with the included tie wraps, make sure wiring will not come in contact with moving parts or in an area with high heat. Also take care that wires will not get pinched or frayed.
14. Reinstall seat. Test operation of running and brake lights.

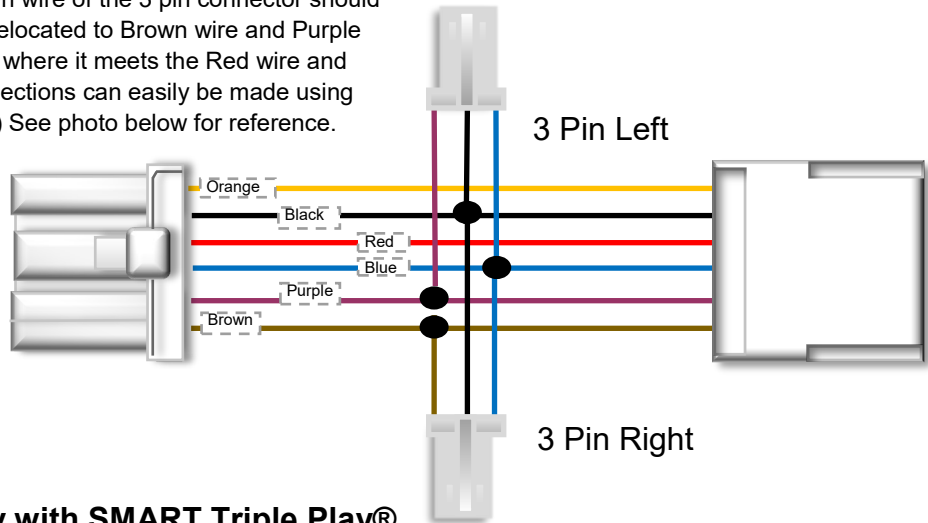
Questions? Call us at: 1 (800) 382-1388 M-TH 8:30AM-5:30PM / FR 9:30AM-5:30PM EST

# Installation Instructions - Page 3.

## Run-Turn Configuration

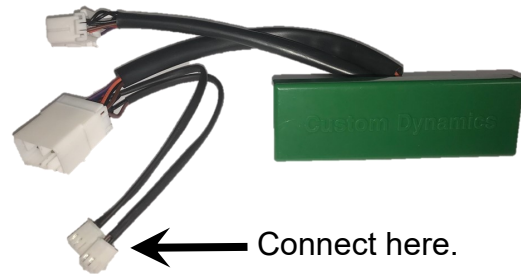
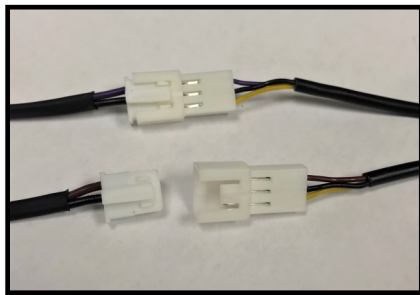
\*On the HD Y Harness Adapter, the Brown wire of the 3 pin connector should be cut where it meets the Red wire and relocated to Brown wire and Purple wire of the 3 pin connector should be cut where it meets the Red wire and relocated to Purple connector wire. Connections can easily be made using Posi-Tap™ connectors (*Sold Separately*) See photo below for reference.

BAGZ™ come with plug and play weatherproof quick disconnect to make future removal of saddlebags quick and easy (see pictures below).

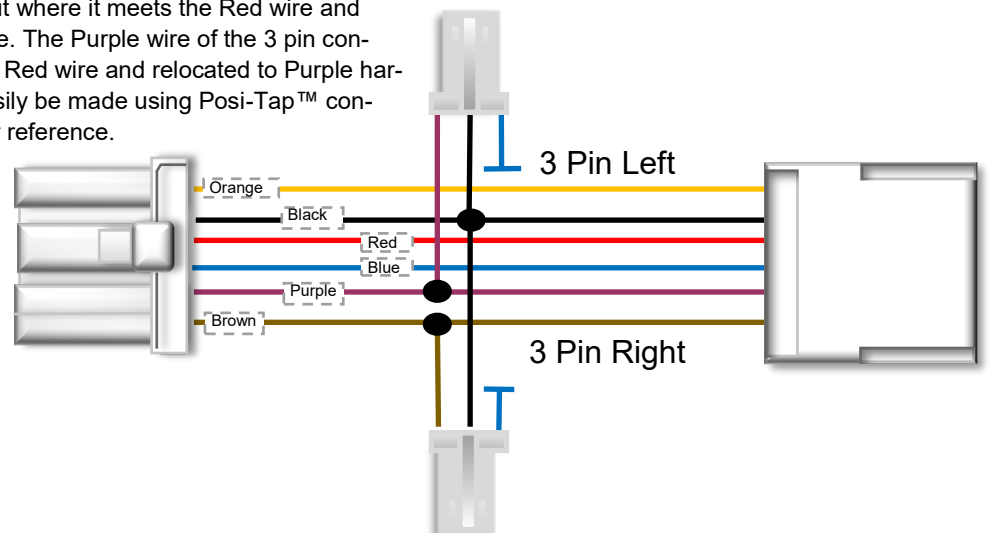


## Run-Brake-Turn Plug-N-Play with SMART Triple Play®

\*SMART Triple Play® with accessory plugs required. The provided HD Y harness **will not** be used. The two 3 pin connectors that extend from the output side of the Smart Triple Play® module allow for plug and play installation. Simply plug in the left side (purple) and right side (brown) female connectors from the Smart Triple Play® to the corresponding male connectors on the product.



**Run-Brake-Turn With Modification** \*SMART Triple Play® **with-**out accessory plugs required. The HD Y harness must be installed on the output of the SMART Triple Play®. On the HD Y Harness Adapter, the Blue wires going to the two 3 pin connectors must be cut and capped off. Brown wire of the 3 pin connector should be cut where it meets the Red wire and relocated to Brown harness adapter wire. The Purple wire of the 3 pin connector should be cut where it meets the Red wire and relocated to Purple harness adapter wire. Connections can easily be made using Posi-Tap™ connectors (*Sold Separately*) See photo for reference.



Questions? Call us at: 1 (800) 382-1388 M-TH 8:30AM-5:30PM / FR 9:30AM-5:30PM EST