



CUSTOMLED

Custom Dynamics® Magic Strobes™ Installation Instructions

We thank you for purchasing the Custom Dynamics® Magic Strobes™ Module! Our products utilize the latest technology and high quality components to ensure you the most reliable service. We offer one of the best warranty programs in the industry and we back our products with excellent customer support, if you have questions before or during installation of this product please call Custom Dynamics® at 1(800) 382-1388.

Part Number: MAGIC-STROBES-RSG

Package Contents:

- Magic Strobes™ Plug and Play Module (1)
- Instructions

Fits: 2014-2021, Street Glide®, Street Glide® Special, Road Glide®, Road Glide® Special, Electra Glide® Ultra Classic/Lo, Ultra Limited/Lo, Road Glide® Ultra, Road Glide® Limited, 2017-2021 Road King® Special 2016-2021 Limited CVO™, Road Glide® Limited, 2016 Road Glide® Ultra CVO™

Must be used with Low Power Current Draw LEDs such as Custom Dynamics®. The use of Incandescent or High Power LEDs (greater than 84 watt or 6 amps) will cause the unit to fail.

Installation

1. Secure motorcycle on level surface. Remove seat. Disconnect negative battery cable from the battery. Locate and unplug the lighting connector to the rear fender. (See photos next page for Connector location)
2. Plug the Magic Strobes™ RSG module, in-line, into the rear lighting harness and into the bike's wiring harness.
3. Re-connect the battery's negative battery cable to the negative of the battery.
4. Locate a secure place for the Magic Strobes™ RSG module that will not interfere with the secure placement of the seat or side cover. Use tie wraps or tape if needed.

Initial Setup and operation

5. Locate the two switches and rotary dial. Be sure the rotary dial is set to position 0. There is small arrow on the dial, this is the pointer that should now be at position 0.
6. Make sure switch 1 & 2 are in the ON position. (see page 2)
7. Select the desired strobe setting listed below with the power off. Always turn power off before changing settings.
8. Turn power on and test for function of the turn signals, running and brake signals with desired setting.
9. Switch 1 enables you to turn the strobe feature on/off on the rear turn signals (if equipped), or other lights installed such as our Fillerz™ or Plasma Rods™.
10. Switch 2 enables you the ability to turn on/off the center brake (if equipped) strobe signal.



ATTENTION

Please read all Information below before Installation

CAUTION: Must be used with Low Power Current Draw LEDs such as Custom Dynamics®. The use of Incandescent or High Power LEDs (greater than 84 watt or 6 amps) will cause the unit to fail.

Important: This product is not compatible with Harley-Davidson® dual intensity Rear LED tribar upgrade.

Important: Dial and switches should be maneuvered by hand only. Do not use any tool such as a screwdriver that could damage waterproof covers.

Important: Module must be secured after installation. Find safe area away from any moving parts and out of the way of normal operation of the bike. Use tie-wraps or other means to secure. Custom Dynamics® is not liable for damage as a result of improperly securing or failing to secure the module.

Important: This module will not work properly if the settings in your BCM (body control module) have been modified from its stock factory configuration.

Caution: A stuck brake switch may cause this unit to over-heat and fail. Unplug module immediately if this condition occurs.

Note: Although this device has been designed to significantly increase your braking visibility, flash/strobe patterns may not be street legal in your area. This Device is not DOT approved.

Questions? Call us at: 1 (800) 382-1388 M-TH 8:30AM-5:30PM / FR 9:30AM-5:30PM EST

Installation Instructions - Page 2

Electra Glide®, Road Glide® Ultra Connector Location

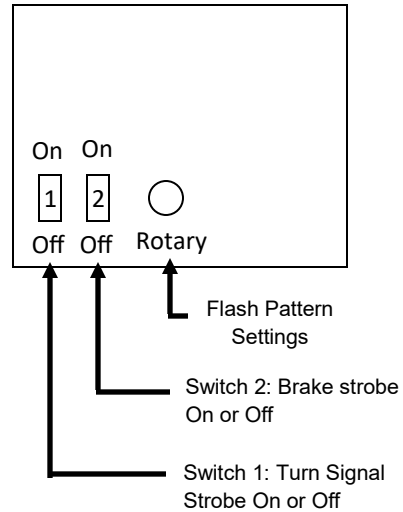


Street Glide®/Road Glide®, Road Glide® Special Connector Location

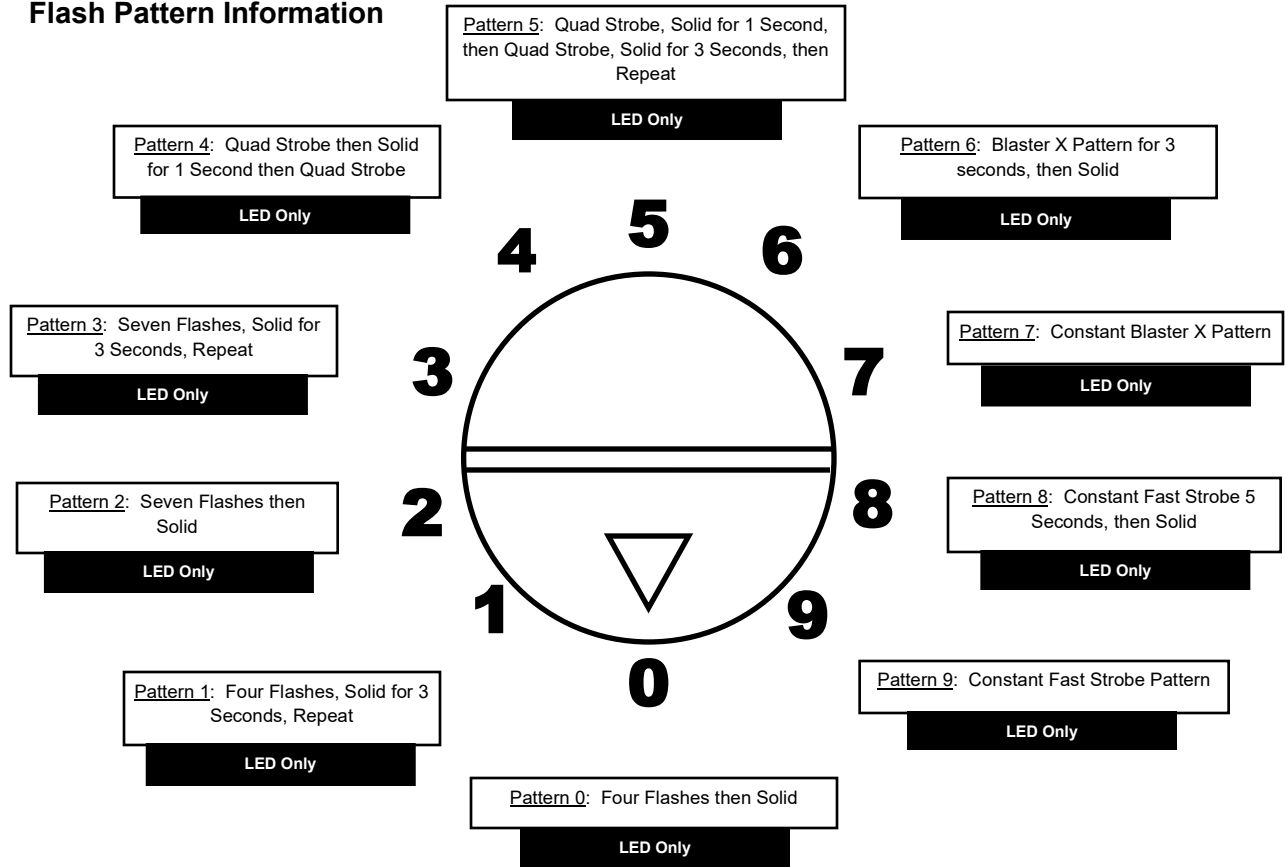


Verify Black plug goes to rear fender

Magic Strobes™ RSG Functions



Flash Pattern Information



Questions? Call us at: 1 (800) 382-1388 M-TH 8:30AM-5:30PM / FR 9:30AM-5:30PM EST