

MSDSP66

6 IN 6 OUT DIGITAL SIGNAL PROCESSOR PRODUCT QUICK START GUIDE

STEP 1

DOWNLOAD MSDSP66 SOFTWARE FROM:
<https://diamondaudio.com/6ch-ip7-waterproof-micro-digital-signal-processor.html>
Install the software and add to your desktop for easy access.

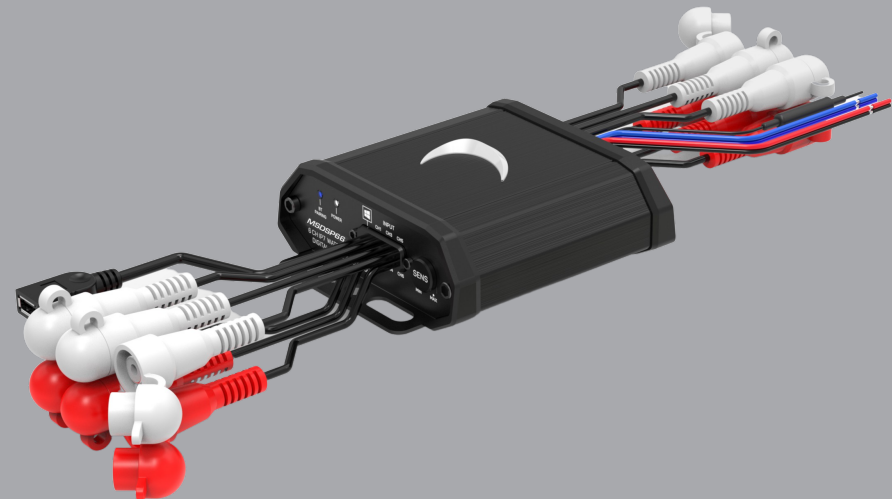
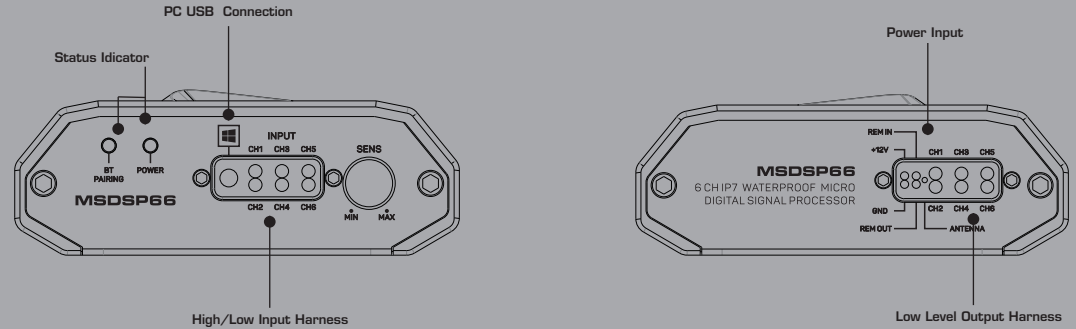
STEP 2

Make power connections as follows:

- RED - 12V Constant Power
- BLACK - Negative Ground
- BLUE - Remote IN
- YELLOW - Remote OUT 3.5 Sec delay turn off

STEP 3

Make Input and Out Connections (see diagrams)
Once your High Level/Low Level Inputs have been made properly secure device free of any obstructions.



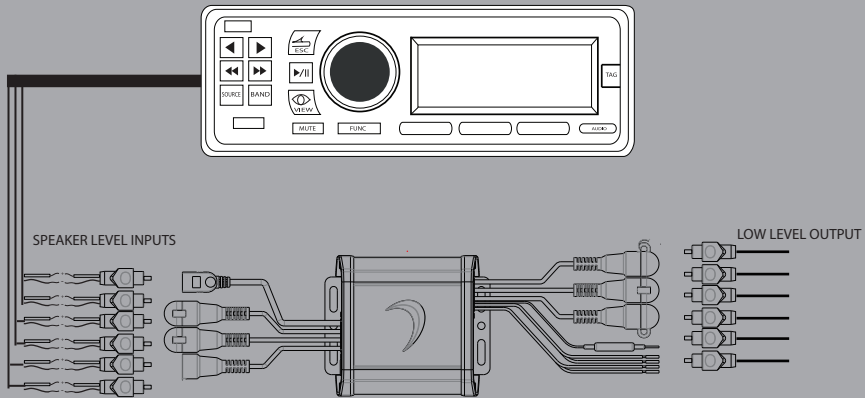
NEED HELP WITH YOUR INSTALLATION?
TECH SUPPORT 213-212-3182

MSDSP66

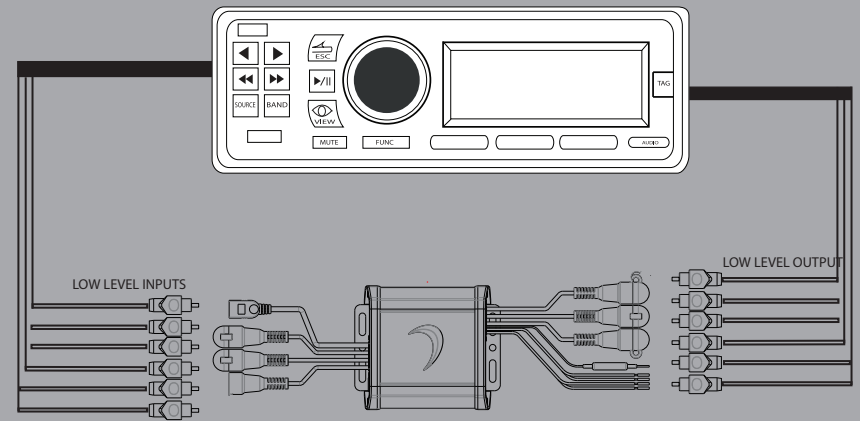
FLEXIBLE INPUT CONFIGURATIONS

The MSDSP66 can be utilized out-of-the-box with high level or low level inputs

OEM HEAD UNIT SPEAKER LEVEL INPUT

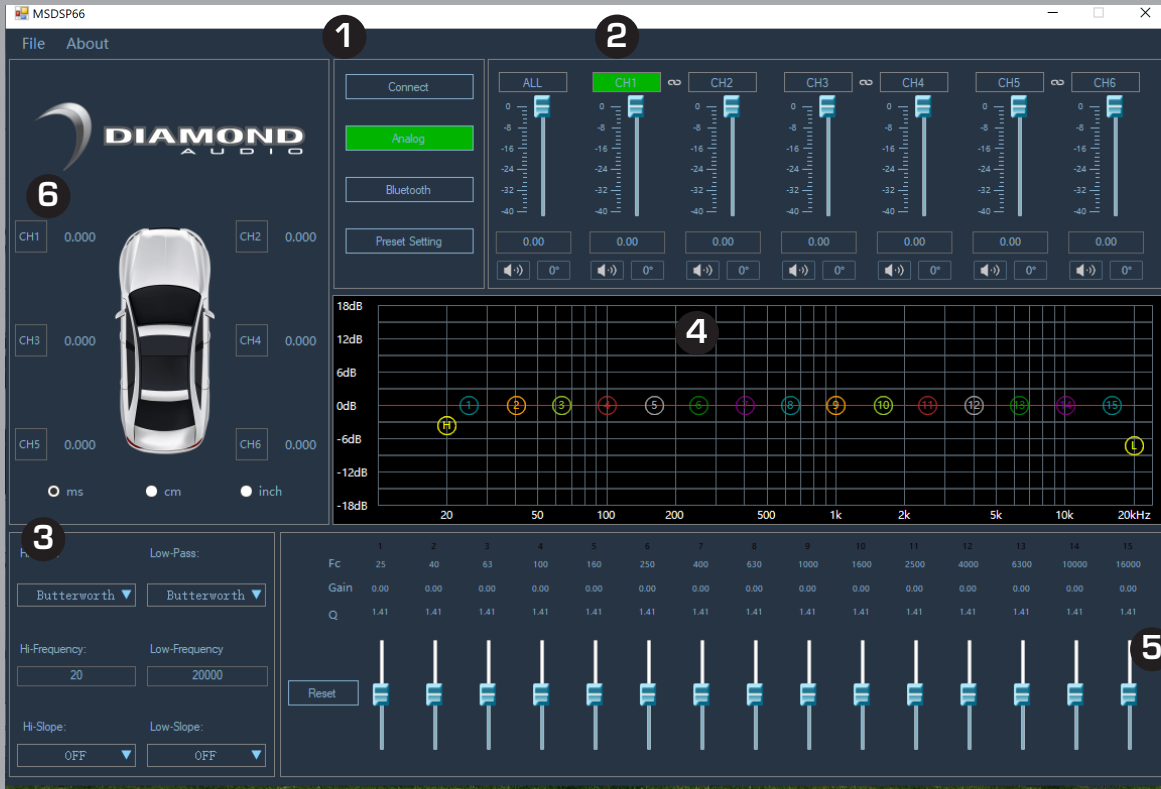


AFTER MARKET HEAD UNIT SPEAKER LEVEL INPUT



MSDSP66

6 IN 6 OUT DIGITAL SIGNAL PROCESSOR SOFTWARE FUNCTION



1. HARDWARE CONNECT
2. CHANNEL LEVEL CONTROL
 - CHANNEL LINK
3. CROSSOVER CONTROL SECTION
 - HP/LP TYPE,FREQ,SLOPE
4. GRAPHIC EQ SCREEN
5. EQ CONTROL
 - Q ADJUSTMENT
 - GAIN CONTROL
6. TIME ALIGNMENT

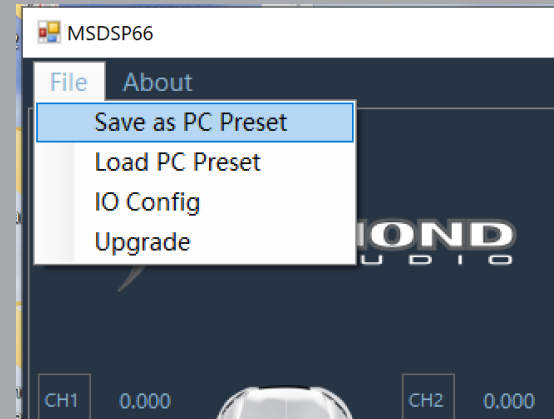
MSDSP66

6 IN 6 OUT DIGITAL SIGNAL PROCESSOR SOFTWARE FUNCTION

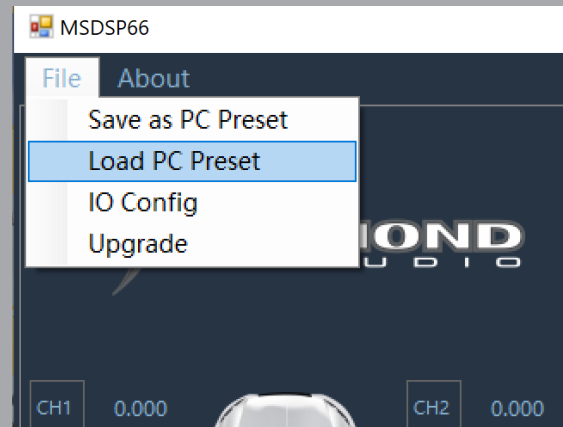
INPUT (IO) CONFIGURATION SCREEN



- Use the IO Config Screen to map your inputs and outputs.
- You can use 2ch up to 6ch of inputs to drive all outputs.



- SAVE SETTINGS TO COMPUTER



- LOAD SETTINGS TO DSP

NEED HELP WITH YOUR INSTALLATION?
TECH SUPPORT 213-212-3182